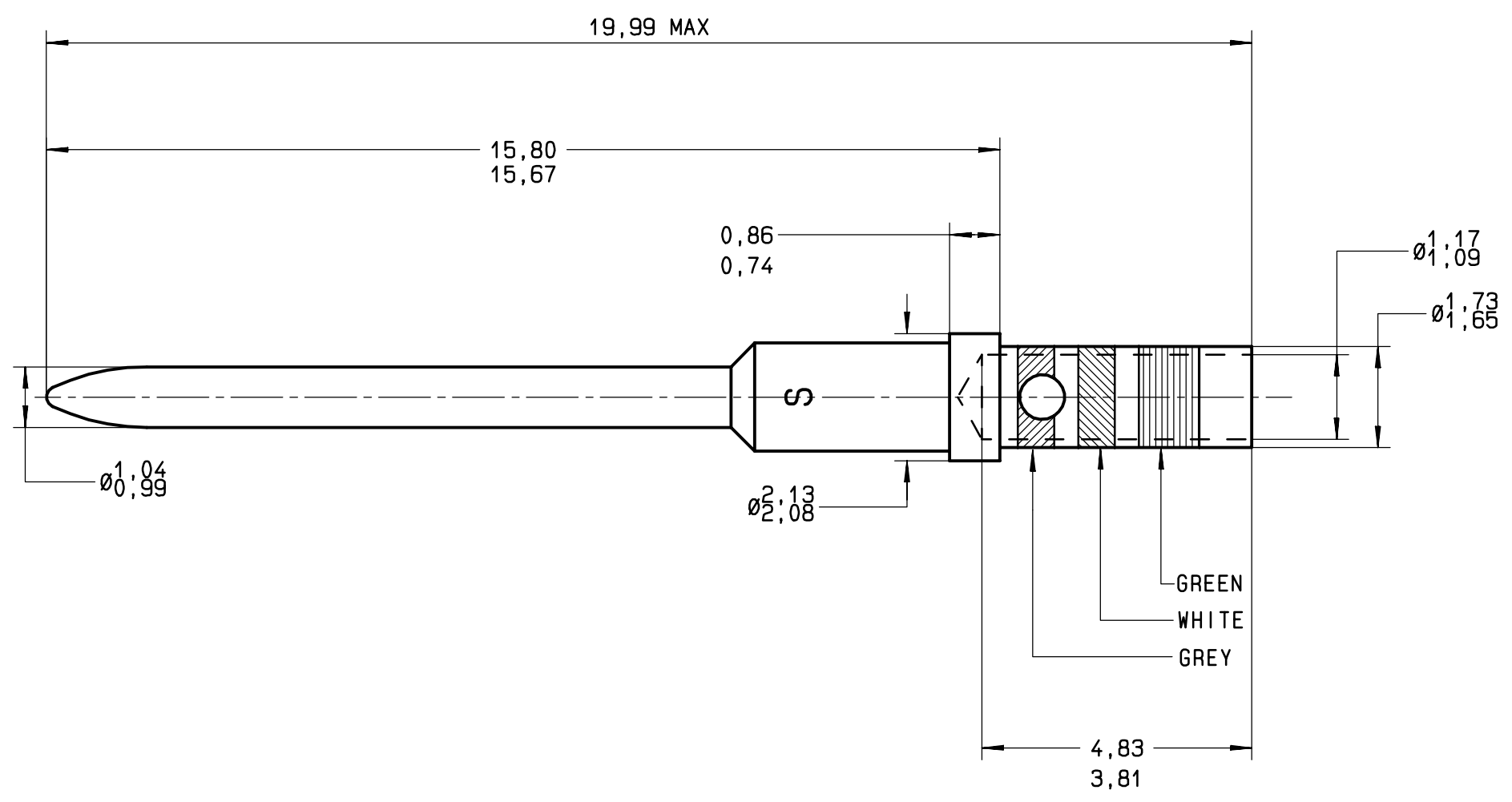




Series  
TCX

SIZE 20 CRIMP REMOVABLE PIN CONTACT  
JN1123 C P 20

Issue: 01 MARCH 2002  
Page 1 / 1



MATERIAL : LEADED NICKEL COPPER (C97)  
 FINISH : .00005 INCH OF GOLD PER MIL-G-45204 TYPE I OR II GRADE C OR D  
 CLASS 1 OVER NICKEL PER QQ-N-290  
 WIRES ACCOMODATED : AWG 20-22-24  
 INSULATEUR DIAMETER : 1,52 MAX - 0,89 MIN  
 STRIP LENGTH : 4,0  
 TOOLING :  
 CRIMPING TOOL : M22520/2-01 RADIALL 282 281  
 SELECTOR POSITION : 7 FOR AWG 20  
 6 FOR AWG 22  
 5 FOR AWG 24  
 POSITIONER : M22520/2-08 RADIALL 282 971  
 INSERTION AND EXTRACTION TOOL : M81969/1-02 RADIALL 282 886

This information is given as an indication. In the continual goal to improve our products, we reserve the right to make any modifications judged necessary.

CREATION	.	.	.	.
PEN: M970106323A	.	.	.	.
NOM: COUTHON	.	.	.	.
DATE: 01 MARCH 2002	.	.	.	.
APPR.: .	.	.	.	.
Issue	Revisions		Name	Approved

**RADIALL**<sup>®</sup>  
 101, rue Philibert Hoffmann Z.I. Ouest  
 93116 ROSNY/BOIS Cedex (France)  
 Tl.: 01 49 35 35 35  
 Fax.: 01 48 54 63 63  
 Tlax: RADIA 235220